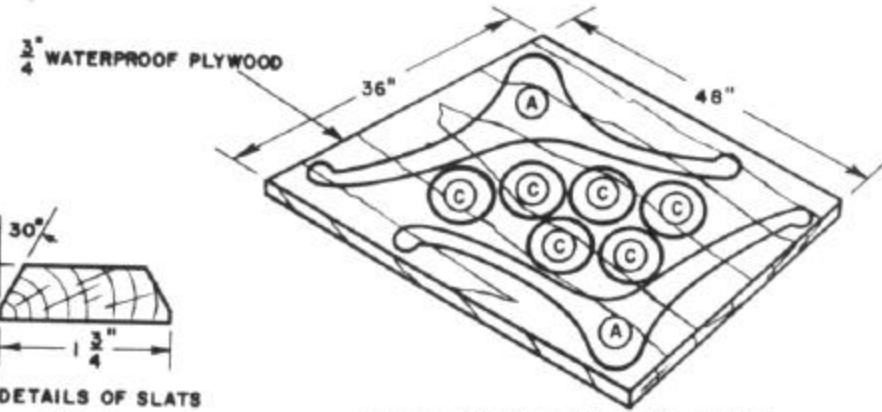
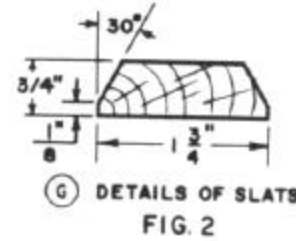
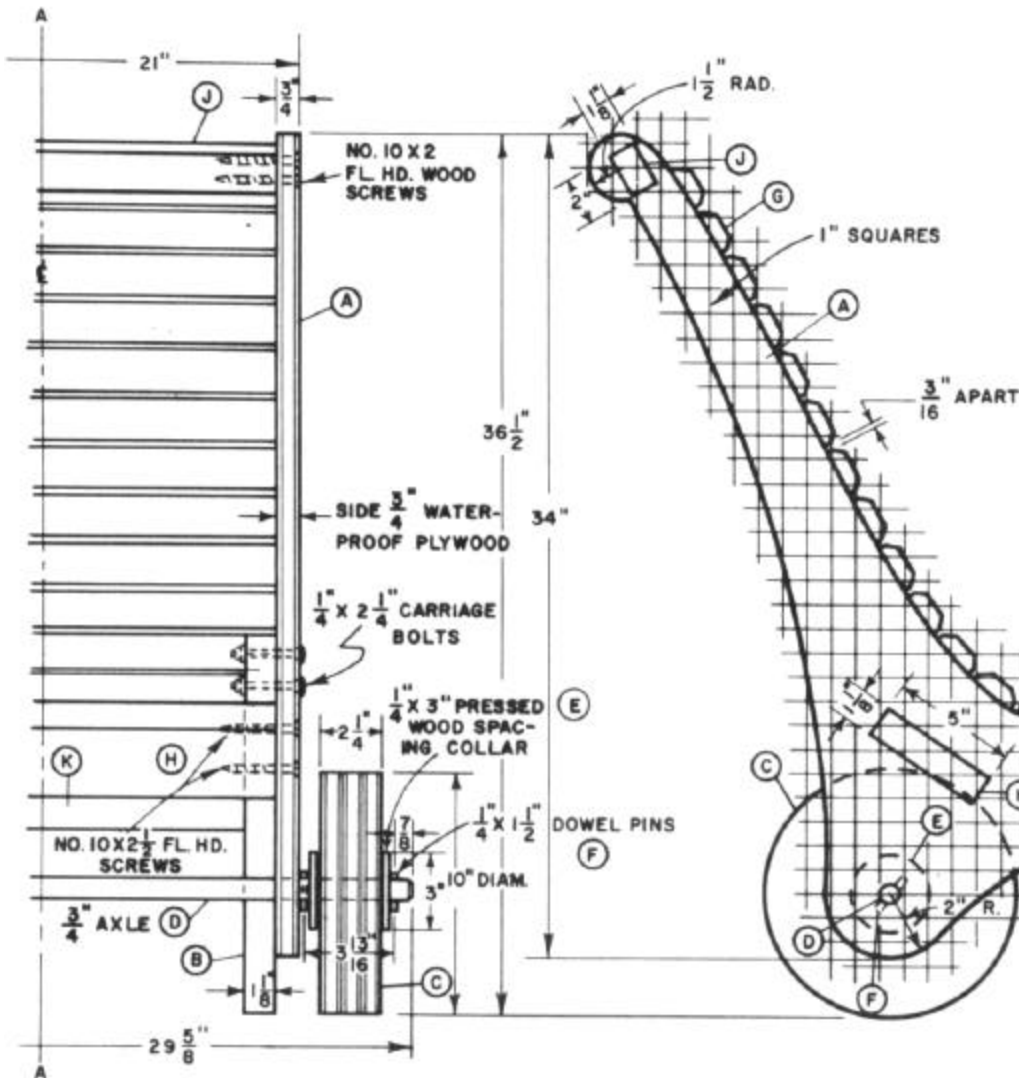


*Here is a set of  
Project Plans  
from*



Copyright © 2004

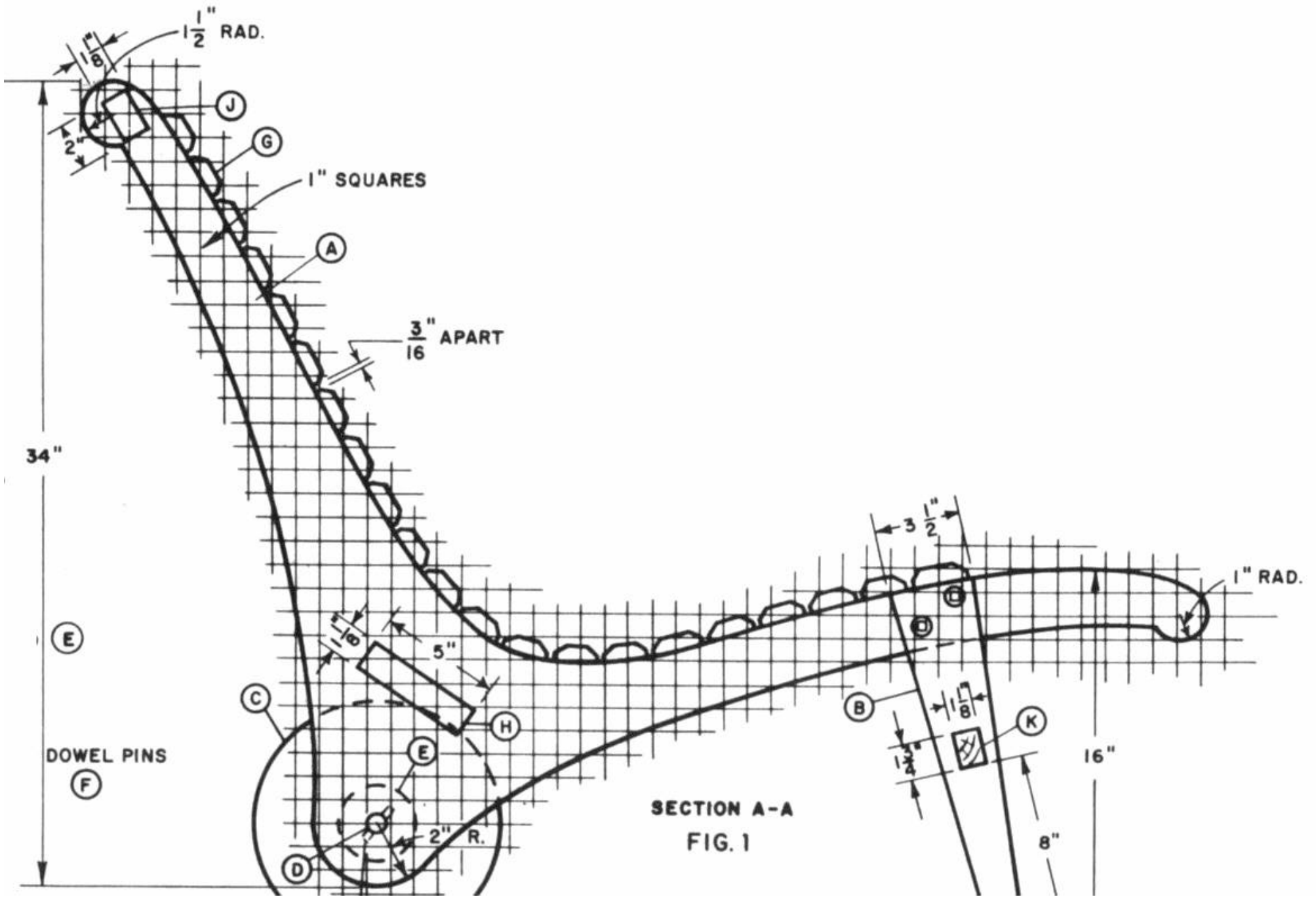
All Rights Reserved



LAYING OUT SIDES AND WHEEL STOCK ON PANEL TO SAVE ON MATERIAL.

FIG. 4

SECTION A-A  
FIG. 1



SECTION A-A  
FIG. 1

